

## Concealed Zippers

Concealed zippers add a finished touch to your garment or home furnishing projects. Use the Zigzag Foot A, Concealed Zipper Foot (optional foot), and Zipper Foot E and follow these six steps to flawlessly attach a concealed zipper.

Tip:

- \* In the Sewing Application Mode of the MC11000, the machine will make all the settings automatically if the following instructions are followed.

### Fabric Preparation

Machine Settings:

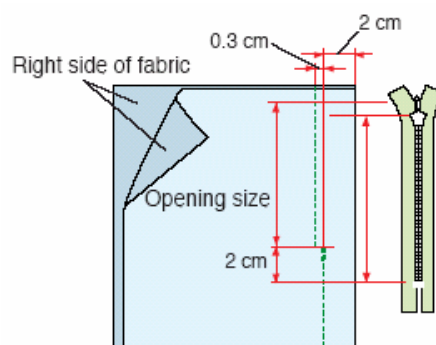
Foot: Zigzag Foot A

Needle Position: Center

Stitch Length: 2.2

Stitch Tension: 4.2

1. Provide a concealed zipper 2 cm (7/8") longer than the size of your opening. Attach zigzag foot A. Place the right sides of the fabric together and sew the opening with a 2 cm (7/8") seam allowance. Reverse the stitch to lock the seams.



### Basting

Machine Settings:

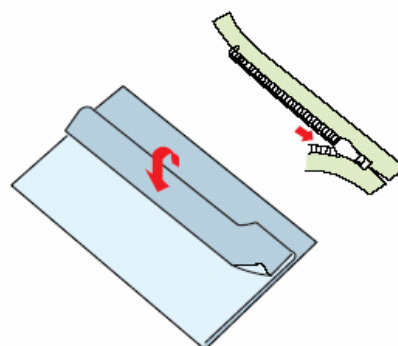
Foot: Zigzag Foot A

Needle Position: Center

Stitch Length: 5.0

Thread Tension: 4.2

2. Baste the opening 0.3 cm (1/8") inside the seam line. Press open the seam and fold the left seam allowance towards the fabric. Open the zipper, align the right-side zip coil with the fold, and place on the right seam allowance with the back of the zipper up.



## Stitching the Zipper Tape

Machine Settings:

Foot: Concealed Zipper Foot & Zipper Foot E

Needle Position: Center

Stitch Length: 2.2

Thread Tension: 4.2

3. Attach the concealed zipper foot. Lightly unfold the right-side zip coil and lower the foot fitting the left groove on the underside of the foot over the zip coil. Stitch through the zipper tape and fabric towards the zipper pull. Reverse the stitches 2 cm (3/4") before the stopper to secure the seam.
4. Raise the foot and close the zipper. Attach zipper foot E to the right side of the attachment pin. Turn and fold the fabric to the right. Sew along the edge of the left zipper tape and reverse the stitches 2 cm (3/4") before the stopper.
5. Raise the foot and reattach it to the left side of the pin. Turn and fold the fabric to the left. Sew along the edge of the right zipper tape and reverse the stitches 2 cm (3/4") before the stopper.
6. Raise the foot and replace it with the concealed zipper foot. Remove the basting stitches and open the zipper completely. Lightly unfold the left-side zip coil and lower the foot fitting the right groove on the underside of the foot over the zip coil. Stitch through the zipper tape and fabric up towards the zipper pull. Reverse the stitches 2 cm (3/4") before the stopper to secure the seam. Slide the stopper until it is 0.3 cm (1/8") below the end of the stitching and fasten with pliers.

